

Ultrasonic Non-Contact Wall Thickness Scanner

For cables, pipes and tubing made of plastic or elastomers

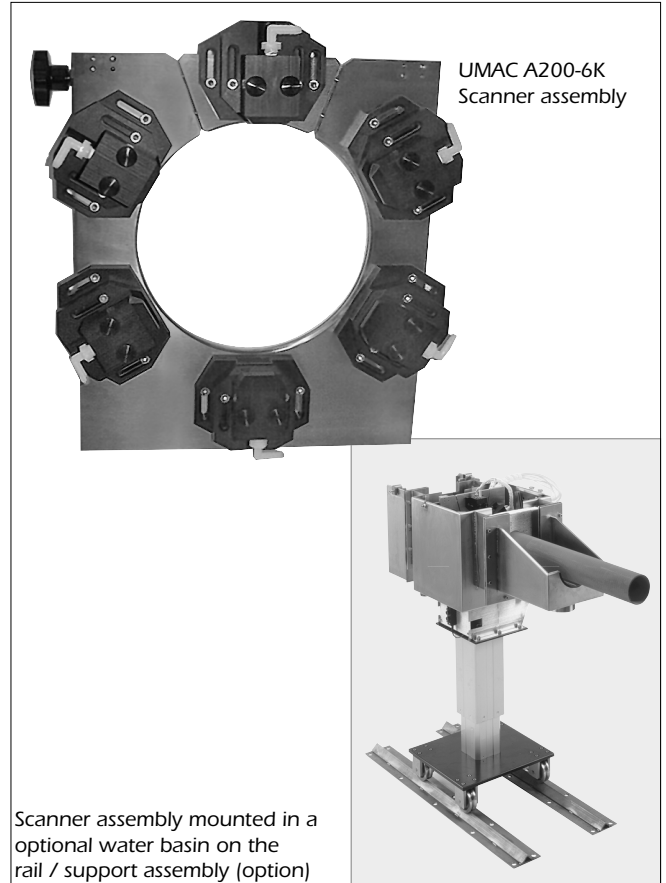
The design of the UMAC® A200-6K ultrasonic wall thickness scanner offers true non contact wall thickness measurements of cable jackets, small pipes or tubes directly at the extruder.

Measuring close to the extruder where the product orientation is stable and without rotation, allows for most efficient centering. The result of any **die adjustments made will be displayed instantly** guiding the operator. **Start-up scrap is reduced to a minimum.**

The **quick controller response** achieved by the close proximity to the extruder will **keep the product within specifications during ramping phases.**

This rugged stainless steel scanner is submerged in water and installs quite easily into an existing trough. An optional water basin, complete with iris water dams and spillover catch basin, is available to mount the UMAC® A200-6K in front of an existing trough.

The transducer holders incorporate a **simple yet effective rinsing system to keep the transducers free from impurities, deposits and air bubbles.**



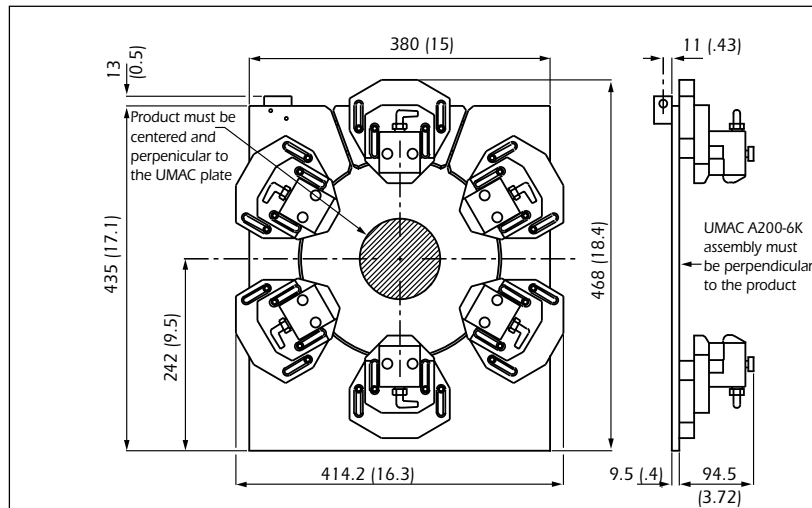
The six measuring points, are oriented 60 angular degrees from each other. Two are mounted into vertical axis and four 60 degrees to the vertical axis. The U-frame construction with removable top section allows for quick removal of product, ready to be mounted into an existing cooling trough or optional water basin.

Specifications			
Product ranges (diameters)	25...70 mm (1...2.8 in.)	55...135 mm* (2.1...5.3 in.)	115...200 mm* (4.5...7.9 in.)
Product clearance	250 mm (9.84 in.)		
Freedom of product position	± 12.7 mm (.5 in.)		

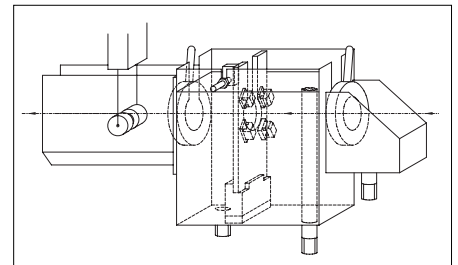
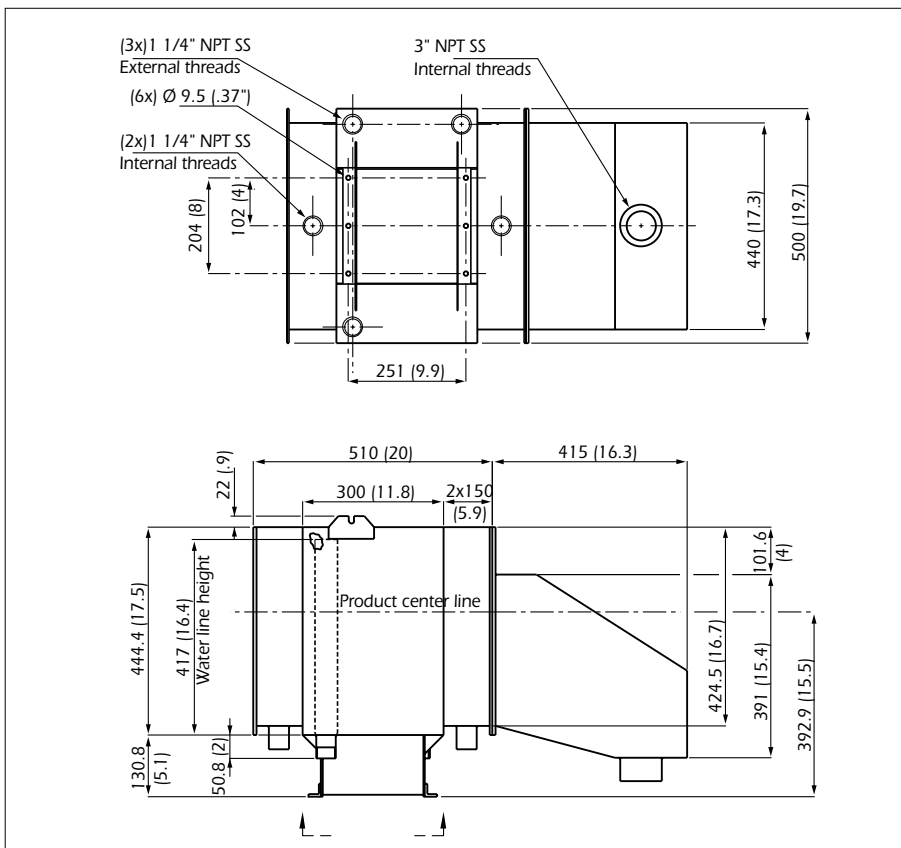
*The position of the hammer heads (transducers) can be changed for larger product sizes.

- Options:
- Water basin including iris water dam and spillover catch basin
 - Support / rail assembly for water basin (comprises motorized height adjustment and floor rail system to allow movement of basin together with telescopic trough)

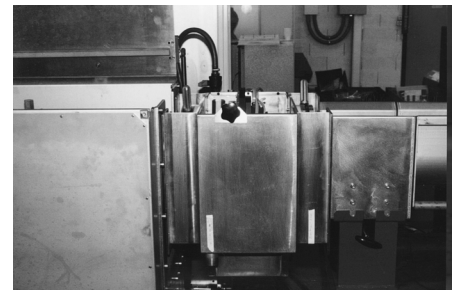
UMAC® A200-6K Dimensions



Installation in optional water basin:



Basin flanged to a cooling trough.



Basin mounted between cooling troughs.

Dimensions in mm (in.)

System Expansions

ZUMBACH manufactures a wide array of precision instruments for industrial applications.

- Measuring electronics and processors: UMAC®-OEM, UMAC®-8K, UMAC®-ECOWALL, UMAC®-OEM/USYS 5002, UMAC®-OEM/USYS 10000 etc.
- ODAC®/USYS Non-contact diameter measuring instruments for on-line or off-line use. These systems can provide you with flawless SQC/SPC reports on the final diameter of your product.
 - For more details on UMAC® processors and ODAC®/USYS systems, please ask for the respective ZUMBACH documentation.

Switzerland (H.O.)
ZUMBACH Electronic AG
 P.O. Box
 CH-2552 Orpund
 Tel. ++41/ (0)32 / 356 04 00
 Fax ++41/ (0)32 / 356 04 30
 E-mail: sales@zumbach.ch

UK
ZUMBACH Electronics Ltd.
 Power Road
 London W4 5PT
 Tel. (0181) 995 52 13
 Fax (0181) 994 67 89
 E-mail: zumbachuk@compuserve.com

USA
ZUMBACH Electronics Corp.
 140 Kisco Avenue
 Mount Kisco, NY 10549-1412
 Tel. ++1 914 241 7080
 Fax ++1 914 241 7096
 E-mail: sales@zumbach.com

Other **ZUMBACH** companies in
 Argentina, Belgium, China,
 France, Germany, Italy, Spain and
 Taiwan, plus agents and service in
 more than 40 countries.

Website: www.zumbach.com